



High-frequency transformer

RM14 Series

Parameters/Dimensions:

RM14 Type 1

Information:

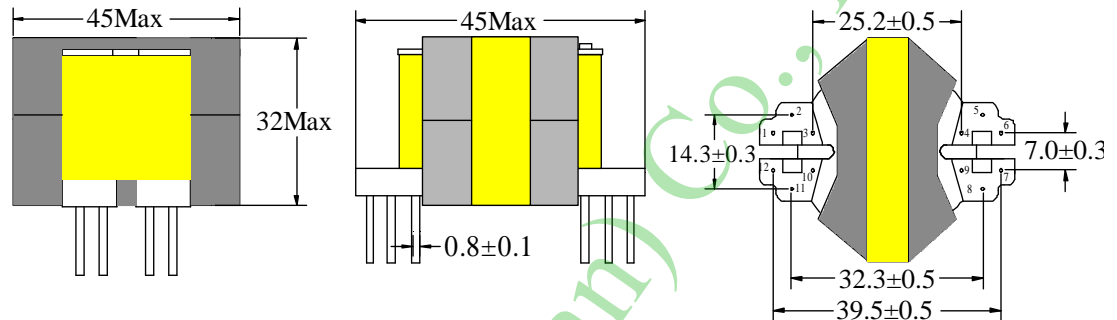
Shape: RM14

1 Power: 210W

2 Mounting Orientation: Vertical

3 Size: 45 (W) * 45 (L) * 32 (H)

4 Effective Ae (mm²): 178.0



RM14 Type 2

Information:

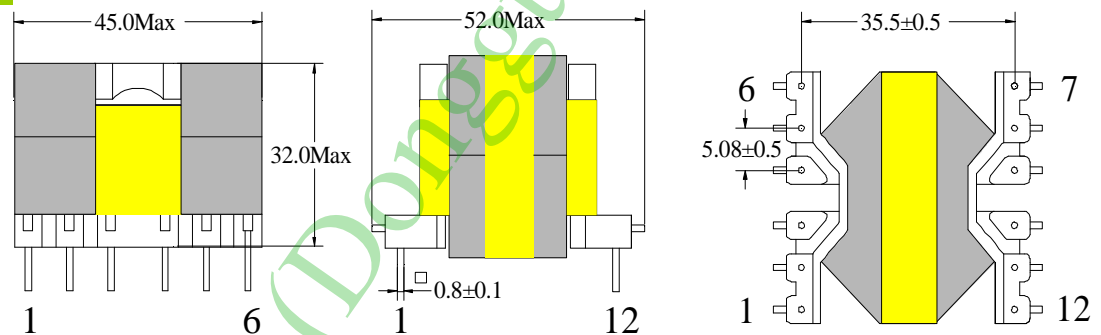
Shape: RM14

1 Power: 210W

2 Mounting Orientation: Vertical

3 Size: 45 (W) * 52 (L) * 32 (H)

4 Effective Ae (mm²): 178.0



Note:

Bobbin type listed in the traditional style, transformer design parameters to customer needs or to inject prevail.

RM series high-frequency transformer features:

Magnetic shielding effect, anti-interference ability, magnetic flux leakage small, distributed capacitance low, skeleton with multiple pin, multiple output transformer can be designed, high-density mounting. However, poor heat dissipation, higher safety costs.

Uses:

Auxiliary power transformers, drive transformers, wideband transformers, carrier filter, high stability of the filter. Mainly used in carrier communication, networking, digital television, electronic equipment and other fields.